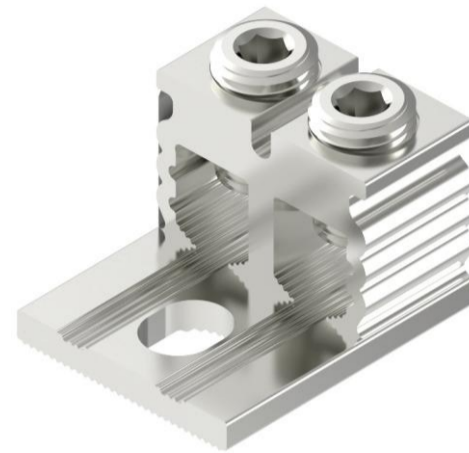


Product data

Product code	VC02-0136	STK-code	1914390	EAN-code	6430051862977
Product name	OT Universal connector 2xAl/Cu 6-95mm ²			ETIM class	EC000897
Wires	2xAl/Cu 6-95 mm ²				

Technical data

Nominal current (IEC)	Cu	490	A
	Al	220	A
Nominal voltage (IEC)		690	V
		-	
		-	
		-	
Number of poles		1	pcs
Max. Cross section		95	mm ²
Tightening torque			
	6-25 mm ²	12	Nm
	35-95 mm ²	22	Nm
		-	
		-	
Operating temperature		-20..+80	°C
Weight		69	g
		-	

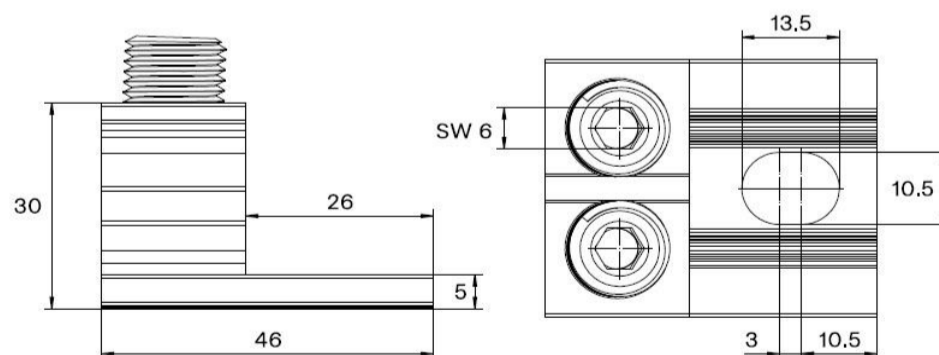


Standards	EN 61238-1; EN60947-7-1
Color / Material	Tin plated aluminium
Mounting / Connection	Screw 2xM14

Description

Ouneva OT-connectors are a universal terminal series for connecting Al- and Cu-conductors to equipment. OT-connectors are used in equipment or as a transfer terminal between copper and aluminium. Connectors are made of tin plated aluminium. The connectors are manufactured in Finland.

Drawing



Package

Package	Box	Pcs / Package	30	Weight [kg]	2,17
Length [mm]	210	Width [mm]	160	Height [mm]	105

Ouneva Oy

Teollisuustie 21
FI-82730 Tuupovaara
Finland

www.ounevagroup.fi

www.ounevaproducts.fi