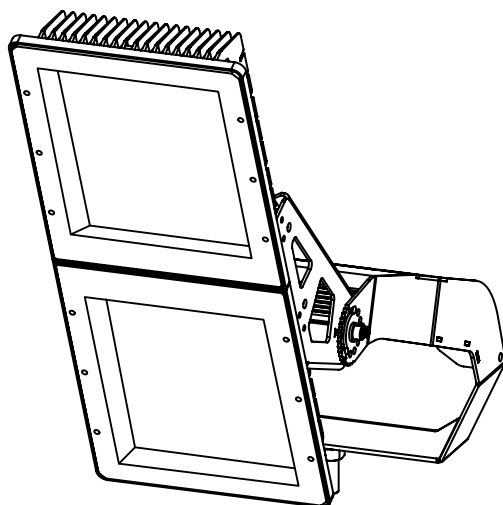


V2.2026

n^te

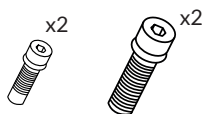
TITÁN

INSTALLATION MANUAL

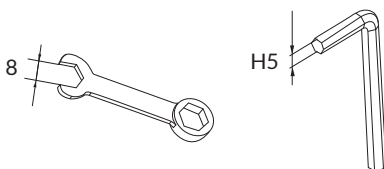


PRODUCT DESIGNED TO BE INSTALLED BY A QUALIFIED PROFESSIONAL. HIGH RISK OF ELECTRIC SHOCK.

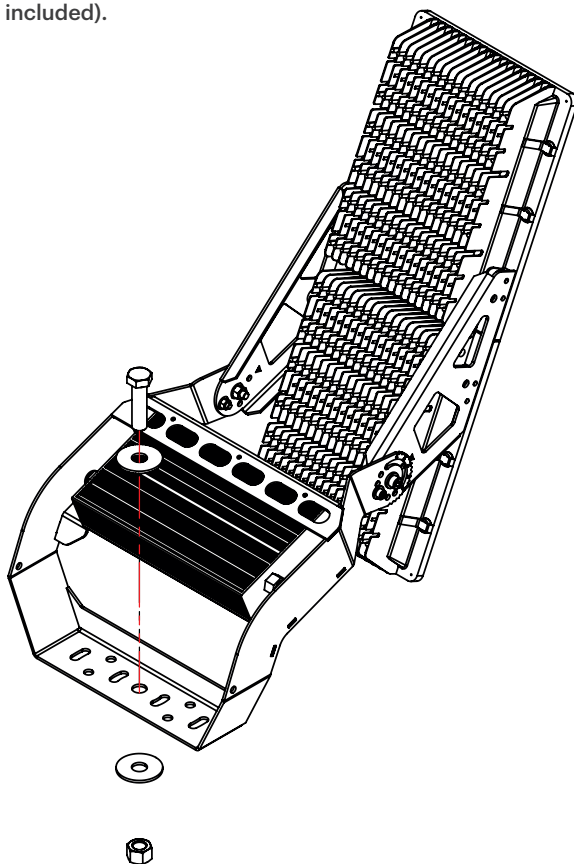
INCLUDED

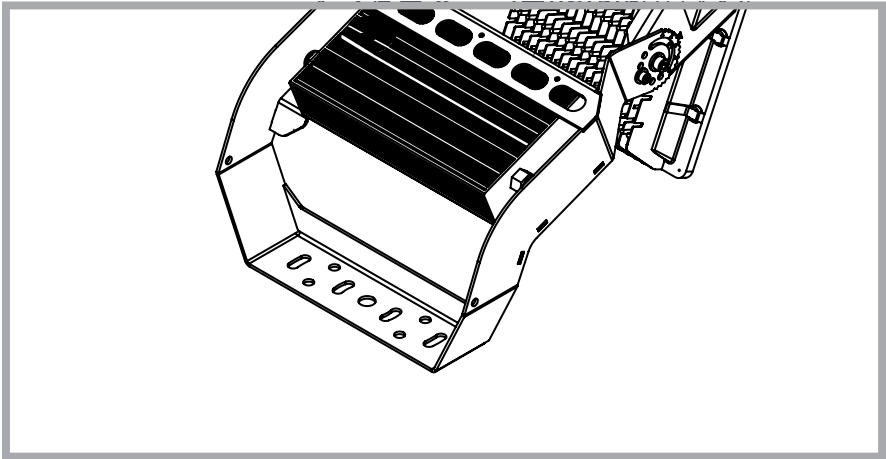


NOT INCLUDED

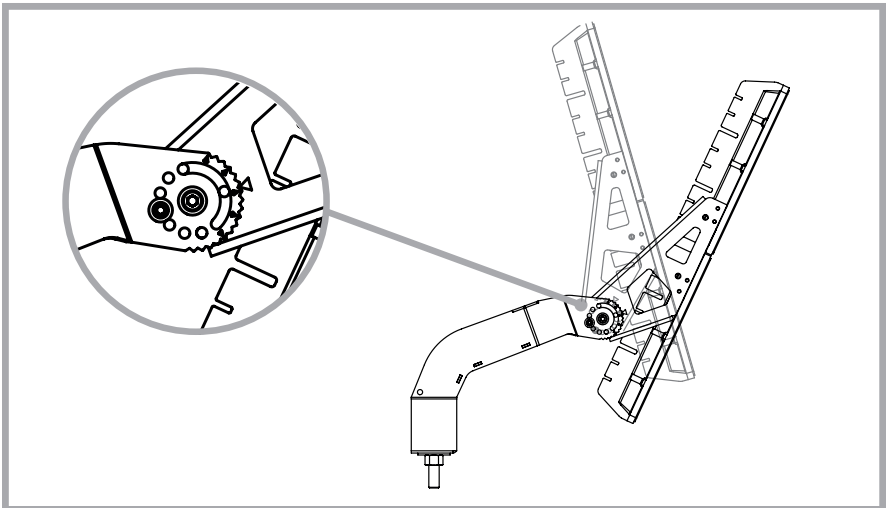


Fix the lyre to the support by screw, washer and nut (not included).



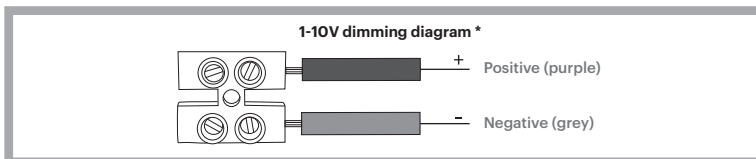
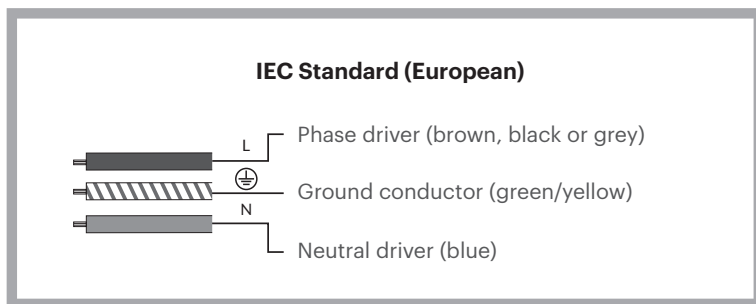


The lyre has multiple holes available for mounting as needed.



By means of the screws included, the inclination of the luminaire can be regulated.

Connect the wiring according to the instructions in the image:



*The function and color of the dimming wires may vary depending on the power supply model. Always check the power supply and the wiring diagram indicated on it.

For more information on the luminaire, please consult the data sheet through our website, as well as the warranty conditions:
<https://www.ntesistemas.es/wp-content/uploads/2022/06/Garantia.pdf>.

ECOLOGÍA Y NUEVAS TECNOLOGÍAS S.L. | Av. Cabecicos Blancos, 18,1A-B |
P.I. Cabecicos Blancos | 30892 Librilla (Murcia) España. | Tlf. 968 806 612